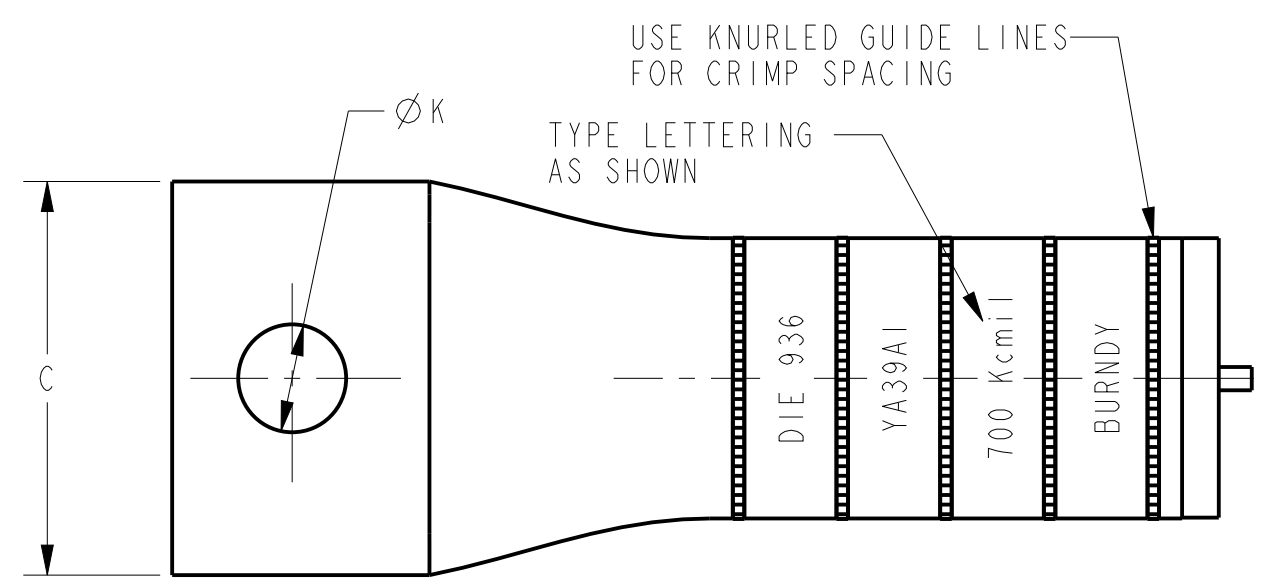
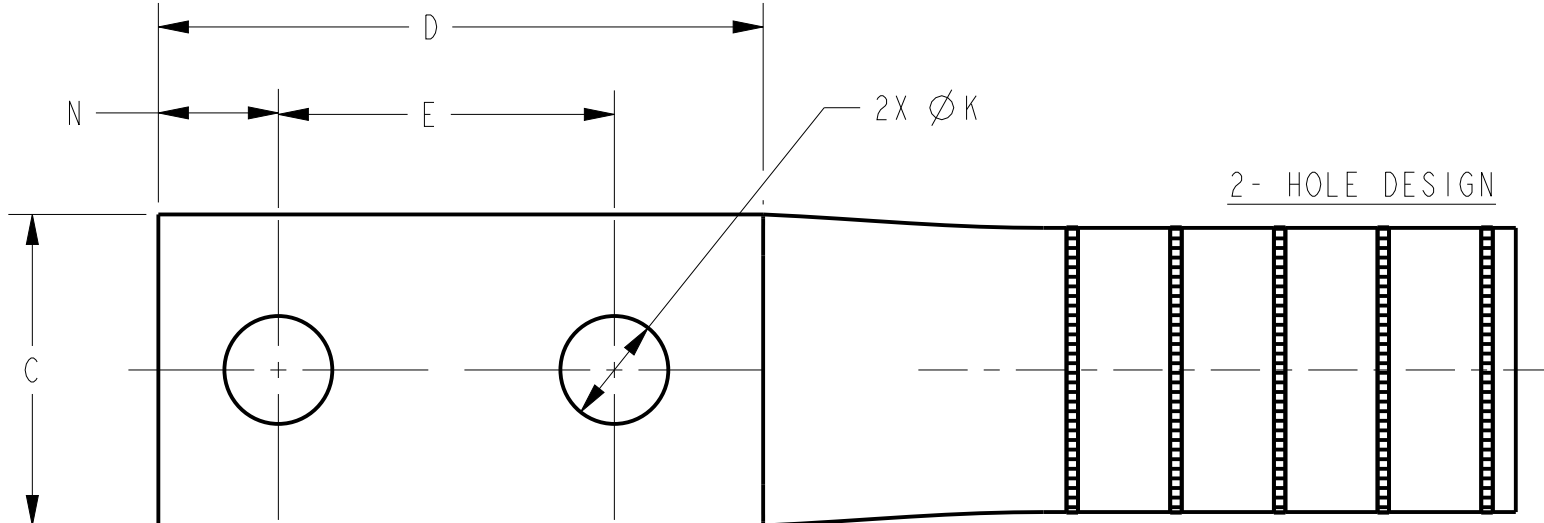
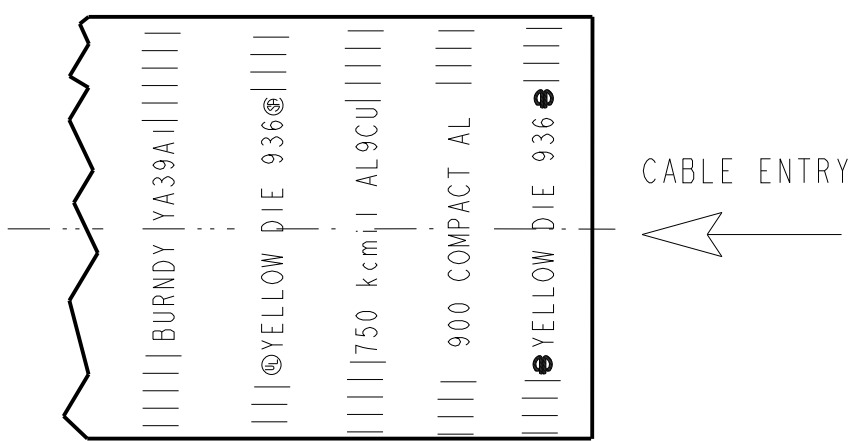
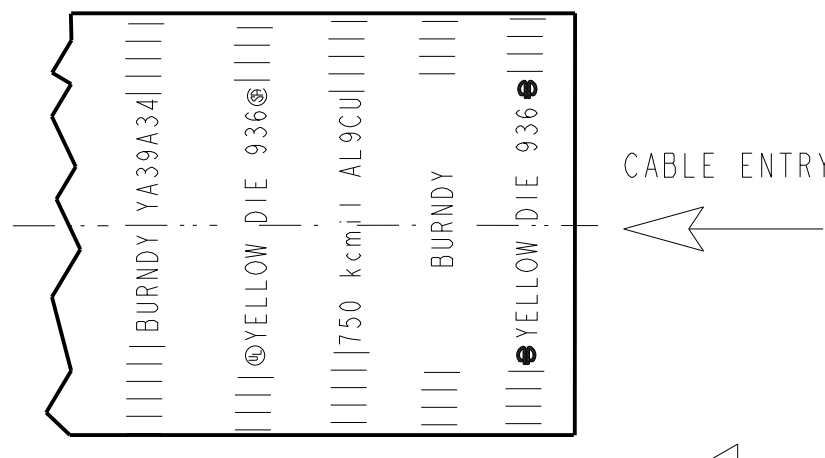
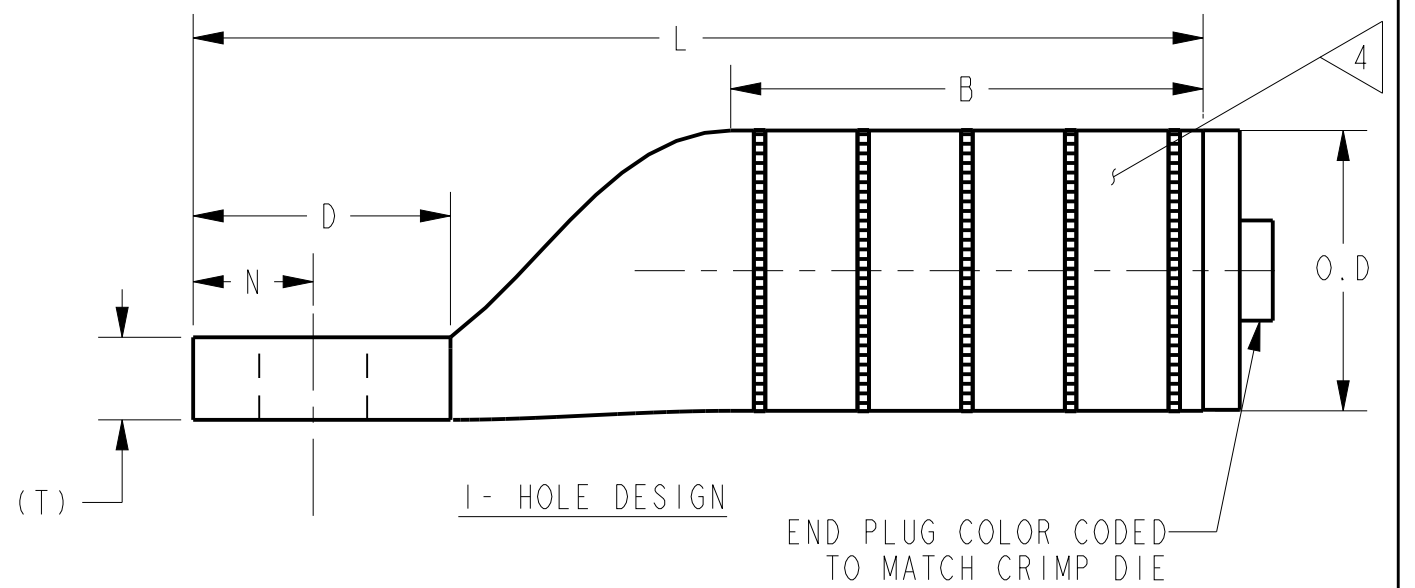


CATALOG NUMBER	CONDUCTOR SIZE		CONNECTOR DIMENSIONS-LINEAR MEASURE IN, [mm]											INFORMATION	
	ALUMINUM	COPPER	STUD SIZE	NO. OF HOLES	B	C	D	E	Ø K	L	N	O.D	(T)		PLATING
YA39A1	700 -750 kcmil CLASS B CONCENTRIC COMPRESSED COMPACT SIW	700 -750 kcmil CLASS B,C CONCENTRIC COMPRESSED COMPACT	1/2	1	2.46	2.05	1.34	--	.56	5.26	.63	1.46	.43	TIN	
[62]					[52]	[34]	[14]	[134]	[16]	[11]	NONE				
YA39A2			5/8	1	2.46	2.05	1.88	--	.69	5.80	.88	1.46	.43	TIN	
[62]					[52]	[48]	[18]	[147]	[22]	[11]	NONE				
YA39A3			1/2	2	2.46	1.62	3.15	1.75	.56	7.07	.63	1.46	.43	TIN	
[62]					[41]	[80]	[44]	[14]	[180]	[16]	[11]		NONE		
YA39A4			3/8	2	2.46	2.05	1.89	1.00	.44	5.81	.44	1.46	.43	TIN	
[62]					[52]	[48]	[25]	[11]	[148]	[11]	[11]		TIN		
YA39A5			900 kcmil CLASS B COMPACT ONLY	1/2	2	2.46	1.62	6.33	1.75	.56	10.25	.63	1.46	.43	TIN
[62]						[41]	[161]	[44]	[14]	[260]	[16]	[37]		[11]	TIN
YA39A6	600 Kcmil CCA DLO (925/22)	1/2	2	2.46	2.05	3.15	1.75	.56	7.07	.63	1.46	.43	TIN		
[62]				[52]	[80]	[44]	[14]	[180]	[16]	[37]		[11]	TIN		
YA39A7	3/4	1	2.46	2.05	2.19	--	.81	6.17	1.00	1.46	.43	TIN			
[62]			[52]	[56]	[21]	[157]	[25]	[37]	[11]		TIN				

REV	DATE	DESCRIPTION	ECO	BY	C'HK.
AJ	09/15/2015 00:00:00 AM	ROLLMARKING DETAILS UPDATED	41819	NG	RG



COLOR CODE	BURNDY INSTALLATION TOOLING (#CRIMPS)										DIELESS (#CRIMPS)		STRIP LENGTH
	DIE INFORMATION		MECHANICAL		HYDRAULIC						MECHANICAL	HYDRAULIC	
	DIE INDEX	TYPE	OUR840	MD6	Y34A Y34B	Y35, Y39 PAT750	Y46	Y45	Y48BH	Y60			
YELLOW	936	YELLOW DIE SET	--	--	--	U39ART-2 (4)	U39ART-2 (4)	U39ART-2 (4)	--	L39ART-2 (2)	--	Y81KFT (4) PAT81KFT (4) Y644 (1) PAT644 (1)	2 7/8"
		NEST INDENTOR	--	--	--	--	--	--	--	--	--		



NOTES:

- ALL HYLUGS™ ACCOMMODATE U.S. STANDARD WASHERS
- REMOVE ALL EXCESS PENETROX™ FROM CONNECTOR AND ADJACENT CONDUCTOR PRIOR TO TAPING.
- UL LISTED AND CSA CERTIFIED WIRE CONNECTORS. RATED 90 C (AL9CU) FOR USE WITH COPPER OR ALUMINUM CONDUCTOR. APPROVAL APPLY TO TIN PLATED CONNECTORS ONLY.
- CONNECTOR BARRELS PREFILLED WITH PENETROX™
- DIMENSIONS IN BRACKETS [] ARE IN MILLIMETERS ROUNDED OFF TO THE NEAREST MILLIMETER, UNLESS OTHERWISE NOTED, AND ARE FOR REFERENCE ONLY.
- CAN BE MOUNTED SIDE BY SIDE ON FOUR HOLE NEMA PAD
- THE YA39A12 IS NOT UL LISTED OR CSA CERTIFIED
- ADD SUFFIX "DT" TO ORDER LUGS WITH CRIMP BARREL SEALED AIR TIGHT INSIDE THE TRANSITION.
- CATALOG #PT6515 ADAPTOR IS REQUIRED TO USE "U" DIES IN Y45 SERIES TOOLS.
- CATALOG #PUADP-1 ADAPTOR IS REQUIRED TO USE "U" DIES IN Y46 SERIES TOOLS.
- Y35P3 INDENTOR ADAPTOR REQUIRED FOR "Y34PR" TYPE INDENTORS.

- FOR USE BY CUSTOMERS THAT HAVE THIS HYPRESS™. NO NEW HYPRESSES™ ARE BEING PROCESSED.
- USE Y644M OR PAT644-18V DIELESS HYPRESS™ ONLY WHEN INSTALLING 900 kcmil COMPACT ALUMINUM. NOT UL CSA LISTED WITH 900 Kcmil COMPACT ALUMINUM USING ANY TOOL.
- UL LISTED WITH DLO COPPER CLAD ALUMINUM CONDUCTOR USING Y644 TOOLS ONLY.
- SEE DEVELOPED LETTERING VIEW FOR THESE CATALOGS.
- SEE DEVELOPED LETTERING VIEW FOR YA39A34.
- ADD SUFFIX "U" TO ORDER LUGS WITH UNDRILLED TONGUE.

UNINSULATED COMPRESSION TERMINAL MATERIAL: ALUMINUM TUBE

HYLUG™			
ITEM NO:	NA		
CAT. NO:	YA39A-(SEE TABLE)		
DRAWN BY:	E.S.K	7/21/72	BURNDY
CHECKER:	S.F.P	8/01/72	
DSN APPVL:	R.B	8/02/72	
MFG APPVL:	--	--	
QA APPVL:	D.VARIO	6/18/95	
MKT APPVL:	P.WERTHMAN	6/18/95	
PROD FAM:	--	--	
PROJECT #:	--	--	
DOCUMENT TYPE:	Sales	--	
REL LEVEL:	Released	--	
SCALE: 2:1		DRAWING NO	REV
		SD073935	AJ
		SHEET 16 OF 24	